

OUTDOOR  
GAS FIREPLACES



[www.regency-fire.com](http://www.regency-fire.com)



OUTDOOR  
GAS FIREPLACES



Regency Plateau™ PT028 City firetable shown with iron grey top, crystals and glass wind shield.

## Regency Plateau™ Firetables

PT028 City, PT030 Coffee

### Linger outdoors longer... in style

Regency's Plateau™ City and Coffee Firetables deliver warmth, durability and style that's perfect for outdoor living. Their contemporary styling offers design versatility that can be customized with your choice of table top finishes and multiple firebed display options to create the ideal fire-side setting.







Regency Plateau™ PT030CFT Coffee firetable shown with Sunset Bronze top, crystals and glass wind shield.



Regency Plateau™ PT030CFT Coffee firetable shown with Stainless Steel top, crystals and glass wind shield.

#### Standard Features

- Propane
- Stainless Steel burner
- Easy access on / off switch
- Match light ignition system
- Safety valve (turns gas off if flame goes out)
- Manual flame height adjustment
- Dining leaf adds functionality as an outdoor table when fireplace not in use
- Propane tank access & storage (PTO28 - 20lb tank, PTO30CFT - 11lb tank)
- Approved for outdoor installation only
- No venting required

#### Options

- Stainless Steel or Iron Gray powder coated top (PTO28CIT, must choose one)
- Stainless Steel or Sunset Bronze powder coated top (PTO30CFT, must choose one)
- Crystals or firebeads in various colors (must choose one)
- Volcanic stones in various colors
- Ceramic log set
- Seasonal weather cover
- Tempered glass wind shield (4-pc) with seasonal weather cover - recommended
- 4 casters (wheels to replace leveling legs - PTO30CFT)
- Natural Gas conversion kit
- Propane hard line conversion kit (PTO28CIT)





Regency Plateau™ PT030CKT Cocktail firetable shown with coffee tile top, crystals and wind shield.

## Regency Plateau™ Firetables

PTO30 Cocktail & PTO30 Island

### Durable, reliable, beautiful conversation tables

Regency brings a fresh modern look to outdoor living with the Regency Plateau™ Island or Cocktail firetable. Ideal for entertaining, the linear design of the Plateau leaves plenty of room for family and friends to gather around. The Plateau series offers thoughtful details like flame adjustment, slide out tank storage, optional exquisite glass wind shield and dining leaf to name a few. Now, you can enjoy the ambience of a warm glowing fire in your own outdoor living space.







Regency Plateau™ PT0301ST Island firetable shown with slate black tile top, glass crystals and wind shield.



Regency Plateau™ PT0301ST Island firetable shown with coffee brown tile top, crystals, volcanic rocks and wind shield.

#### Standard Features

- Propane
- Stainless Steel 30" Linear burner
- Easy access on / off switch
- Match light ignition system
- Safety valve (turns gas off if flame goes out)
- Manual flame height adjustment
- Dining leaf adds functionality as an outdoor table when fireplace not in use
- Slide on propane tank access & storage (approved for use with a 20lb tank)
- Approved for outdoor installation only
- No venting required (see manual)

#### Options

- Porcelain tile table top in Coffee or Slate Black (must choose one)
- Crystals or firebeads in various colors (must choose one)
- Volcanic stones in various colors
- Ceramic log set
- Seasonal weather cover
- Tempered glass wind shield (4-pc) with seasonal weather cover - recommended
- 4 casters (wheels to replace leveling legs)
- Natural Gas conversion kit



Custom application using the Regency Plateau™ PTO60 burner, wind shield and framing kit.

## Regency Plateau™ Burners

Outdoor Gas Fireplace for Custom Applications

### The ultimate customized fire feature

For custom applications, the Regency Plateau™ outdoor gas fireplace brings you the design versatility of a linear stainless steel burner for multiple sizing applications. Whether you are a landscape designer or a homeowner looking to renovate an outdoor living space, the Regency Plateau fireplace creates endless design possibilities.

For an incredible dramatic effect, you can connect two Plateau outdoor gas burners to make an impressive 60" linear gas fireplace.







Custom application using the Regency Plateau™ PT030 burner and see-through framing kit.



Custom application using the Regency Plateau™ PT030 burner.

#### Standard Features

- Natural Gas
- Stainless Steel 30" or 60" Linear burner
- Easy access on / off switch
- Electronic ignition
- Safety valve (turns gas off if flame goes out)
- Approved for outdoor installation only
- No venting required

#### Options

- Crystals or firebeads in various colors (must choose one)
- Volcanic stones in various colors
- Ceramic log set
- Tempered glass wind shield (4-pc) with seasonal weather cover - recommended
- Various framing kits
- Propane conversion kit





Regency Horizon HZO42 shown with crystals.

## Regency Horizon™ HZO42

### Outdoor Gas Fireplace

#### Design your own outdoor fireplace

All of the sophisticated, contemporary styling and quality workmanship of the Regency Indoor Horizon series is mirrored in this dramatic outdoor fireplace. Beautiful flames are amplified by a reflective stainless steel body with your choice of volcanic stones, natural river pebbles or traditional logs. Personalize your outdoor room to match your home with tile, stone or slate creating a seamless transition to your outdoor room.







Regency Horizon HZ042 shown with stainless steel faceplate and slate gray volcanic stones.



Regency Horizon HZ042 shown with copper crystals.

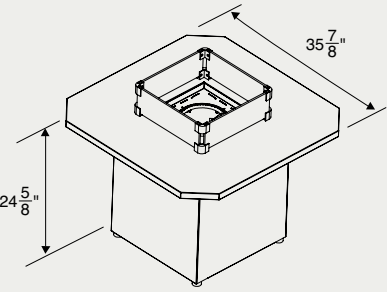
#### Standard Features

- Natural gas or propane
- Stainless steel faceplate & inner panels
- Stainless steel burner covered with copper crystals
- Tempered glass wind shield
- Stainless steel heat deflector
- Easy access on/off switch
- Electronic ignition system
- Safety valve (turn gas off if flame goes out)
- Seasonal weather cover
- Approved for outdoor installation only
- No venting required

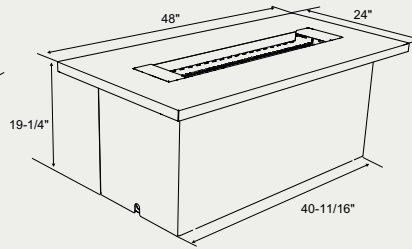
#### Options

- Crystals or firebeads in various colors (must choose one)
- Volcanic stones
- River pebbles
- Ceramic log set
- Framing kit

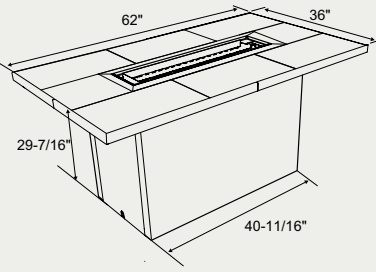
# Firetables



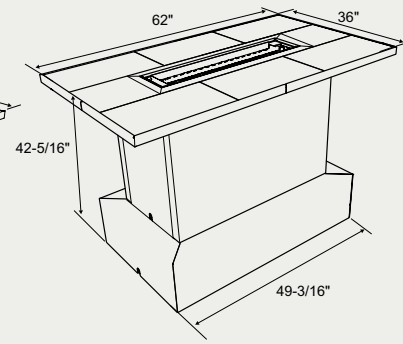
PTO28CIT City Firetable



PTO30CFT Coffee Firetable



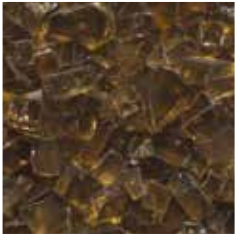
PTO30IST Island Firetable



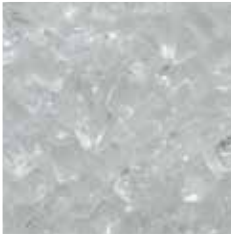
PTO30CKT Cocktail Firetable

Specifications	PTO28CIT		PTO30CFT		PTO30IST		PTO30CKT	
	NG	LP	NG	LP	NG	LP	NG	LP
Input (BTU)	33,500	35,000	49,000	48,000	49,000	48,000	49,000	48,000
Turn down to (BTU)	13,000	11,000	18,000	15,000	18,000	15,000	18,000	15,000

## Firebed options



Copper crystals



Starfire crystals



Black crystals



Ceramic log set



Volcanic stones  
ivory/tan



Volcanic stones  
slate/grey



Obsidian beads



Amber beads

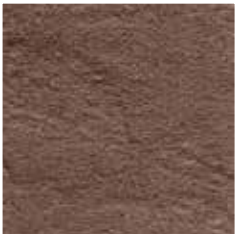


Glacier Ice beads



Garnet Luster beads

## Island/Cocktail porcelain tile table top options



Coffee Brown



Slate Black

## Coffee firetable top options



Stainless Steel



Sunset Bronze

## City firetable top options



Stainless Steel



Iron Gray

## Glass wind shield



Exquisitely finished tempered glass for maximum comfort and optimum fire viewing

## Dining leaf



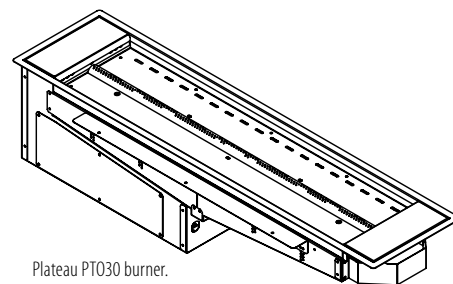
Matching dining leaf burner cover (stainless steel/sunset bronze/iron gray)  
(not available for PTO30 and PTO60 burners)



# DIY - burners & framing kits

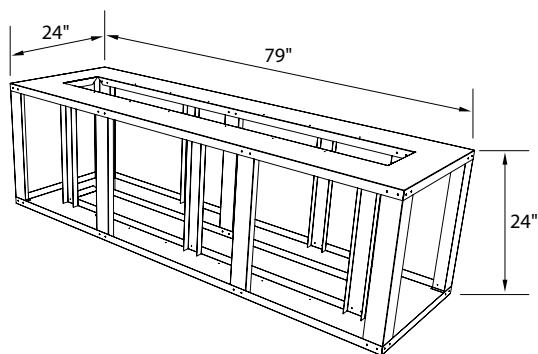
For custom designs, the Regency Plateau™ outdoor gas burner brings you the design versatility of a linear stainless steel burner for multiple applications. Available in 30" (PTO30) or install two together to turn it into a 60" burner (PTO60).

Specifications	PTO30		PTO60	
	NG	LP	NG	LP
Input (BTU)	50,000	49,000	100,000	98,000
Turn down to (BTU)	30,000	38,000	60,000	76,000



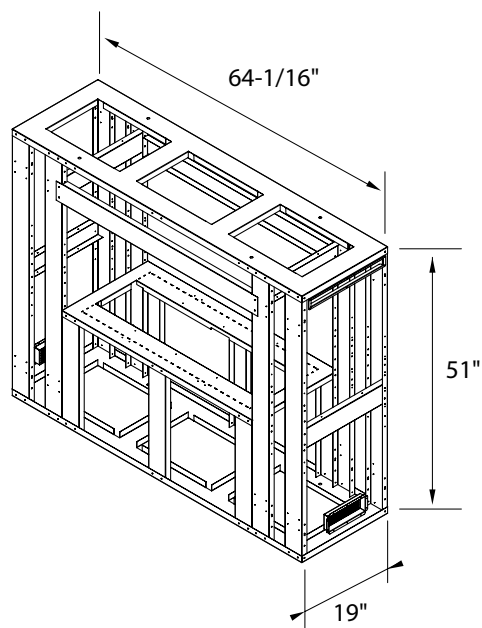
Plateau PTO30 burner.

## PTO60 table framing kit



Custom application using the Regency Plateau™ PTO60 burner, wind shield and framing kit.

## PTO30 see-through framing kit



Custom application using the Regency Plateau™ PTO30 burner and see-through framing kit.



See-through framing kit - propane drawer

### See-through framing kit options:

- stainless steel inner panels
- propane drawer

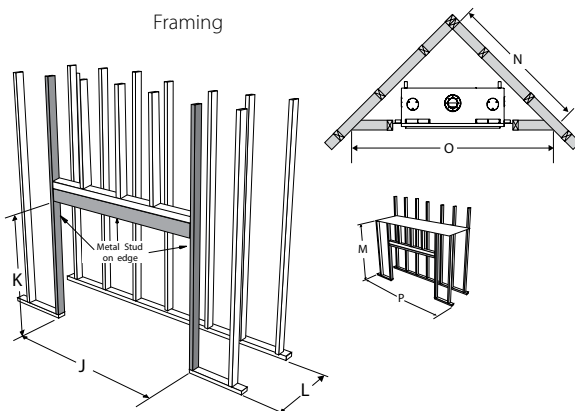
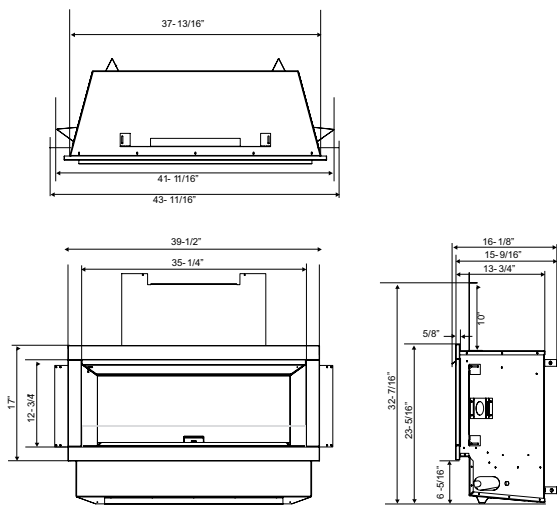
**NOTE:** Two ventilation grills are highly recommended for all enclosures. This is to alleviate moisture and allow air to circulate. Minimum recommended size is 20 sq. in. for each grill.

# 1-2-3 Instant fireplace



No fireplace? No problem! The Regency steel framing kit allows you to install and finish your outdoor gas fireplace in no time...  
Dimensions: 60"W x 20"D x 52-1/2"H

## Regency Horizon™ HZO42 outdoor fireplace (this fireplace is for outdoor use only)

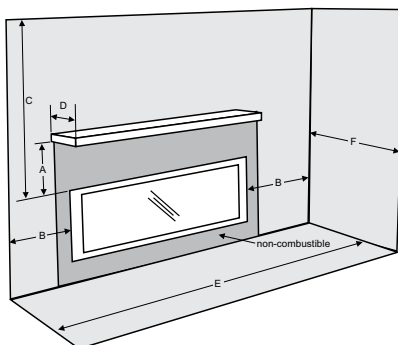
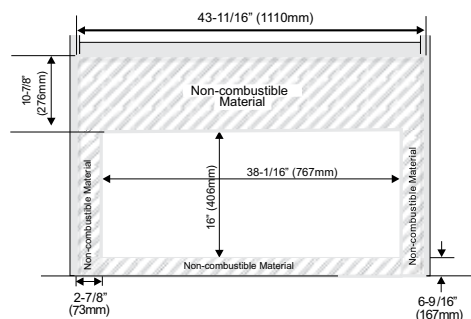


Specifications	NG	LP
Input (BTU)	44,500	43,500

Dimensions	
Faceplate Width	39-1/2"
Faceplate Height	17"
View area	449 sq.in.

Framing	HZO42
J	42-3/16"
K	32-11/16"
L	20"
M	52-1/2"
N	40-7/16"
O	54-3/16"
P	60"

## Clearances



Clearances	HZO42
A*	26-1/2"
B	11"
C	36"
D**	12"
E	57"
F	36"

\* Minimum at 1" deep  
\*\* Minimum at 26-1/2" above

NOTE: Two ventilation grills are highly recommended for all enclosures. This is to alleviate moisture and allow air to circulate. Minimum recommended size is 20 sq. in. for each grill.

NOTE: All product specifications are subject to change without notice. Before installing refer to the relevant product manual for full and up to date information. Manuals can be downloaded from our web site [www.regency-fire.com](http://www.regency-fire.com)

[www.regency-fire.com](http://www.regency-fire.com)  
your Regency dealer