

CONTEMPORARY
GAS FIREPLACES



www.regency-fire.com



CONTEMPORARY
GAS FIREPLACES

WHY CHOOSE REGENCY?

FIRE TRANSFORMED TO ART

My vision was to elevate the role of a fireplace beyond the heating function to a highly stylized art form for today's trend toward modern homes. I focused on clean lines crafted from unique materials and finishes. These elegant frames wrap artfully around a fire that dances evocatively from a fire bed blanketed in vibrant crystals or a seamless river of pebbles. Prepare to impress.

REGENCY QUALITY...BEAUTY THAT HEATS

For over 35 years Regency has carefully researched trends to develop fireplaces that fit your needs. A perfect combination of function and beauty; each Regency is a high efficiency heater with a beautiful view. Cut your heating bills by turning your furnace way down in most of your rooms and enjoy high efficiency, controllable heat in the living areas you spend time in. And, all Regency products operate during power outages.

LIFETIME GUARANTEE

I am so confident in the quality workmanship, the finest materials and durable heavy-duty construction invested in each and every Regency, that I offer a Limited Lifetime Warranty. We know that you will be as proud of your Regency Contemporary Collection Fireplace as we are - I guarantee it.



Robert Little
Founder & CEO



TABLE OF CONTENTS

<i>Contemporary Gas Fireplace Collection</i>	
Regency Ultimate U900E	04
Regency Horizon HZ54E	06
Regency Horizon HZ40E	08
Regency Horizon HZ30E	10
Regency Horizon HZ42STE	12
Regency Horizon HZ965E	14
Regency Horizon HZ33CE	16
<i>Design Options</i>	18
<i>Accessories</i>	20
<i>Specifications</i>	22
<i>Design Inspiration</i>	27





U900E shown with black contemporary door frame.

REGENCY ULTIMATE™ | U900E Medium Contemporary Gas Fireplace

ULTIMATE FLAME PACKAGE

The Regency Ultimate linear Gas Fireplace showcases the best-in-class flame and log package. Perfect for modern spaces and open concept living areas, clean burning heat is distributed throughout the home.

EXPANSIVE HEAT

Colder climates will benefit from the combination of intense radiant heat and extensive convective heat delivered by the built in blower. The black enamel reflective panels further accentuate the fire to create the perfect ambiance.

SPECIFICATIONS	NATURAL GAS	PROPANE
Input (BTU)	34,000	31,500
Turn down to (BTU)	23,500	25,000
EnerGuide Rating (Canada only)	66.98%	68.15%
Efficiency (steady state)	73.3%	73.77%

DIMENSIONS	
Viewing Area	455 sq. in.
Width (Clean finish)	39-5/8"
Height (Clean finish)	17-5/8"

For additional surround dimensions see page 26.
For detailed specifications please see pages 20-25.



U900E shown with contemporary door frame and black glass surround.

STANDARD FEATURES

- Natural gas or propane
- Safety screen
- Glowing linear ember bed
- Ceramic burner & driftwood log set
- Black enamel reflective side panels
- Electronic ignition
- 3-speed fan
- Proflame II Remote control system
- Direct vent
- Heat exchanger
- Limited lifetime warranty

OPTIONS

- Contemporary door frame & black surround
- Premium glass surround in black
- Clean edge finish option (no faceplate required)
- Optional finishing trim for clean edge finish (W: 40-1/8" x H: 18-1/4")
- Steel framing kit
- Heat distribution kit to distribute heat to other rooms





HZ54E shown with safety screen, stainless steel faceplate, black enamel reflective panels and black crystals.

REGENCY HORIZON® | HZ54E Large Contemporary Gas Fireplace

DRAMATIC FLAMES

The Regency Horizon® HZ54E offers a wide angle view of a unique and dramatic flame, perfect for contemporary homes and open concept living spaces.

STUNNING CONTEMPORARY STYLE

Inner reflective panels amplify the appearance of the stunning fire. Contemporary styling is paired with practical function, delivering consistent, controllable heat – even during power outages.

SPECIFICATIONS	NATURAL GAS	PROPANE
Input (BTU)	41,500	37,000
Turn down to (BTU)	29,000	30,000
EnerGuide Rating (Canada only)	64.87%	68.31%
Efficiency (steady state)	70%	75%

DIMENSIONS	
Viewing Area	615 sq. in.
Width (Metal Faceplate)	56-11/16"
Height (Metal Faceplate)	25-1/8"

*For additional surround dimensions see page 26.
For detailed specifications please see pages 20-25.*



HZ54E shown with safety screen, Verona glass surround in pure black, black enamel reflective panels, black crystals and driftwood log set.



HZ54E shown with safety screen, black faceplate, black enamel reflective panels, crystals and volcanic stones.

STANDARD FEATURES

- Natural gas or propane
- Safety screen
- 39" burner covered with crystals (purchased separately)
- Electronic ignition with SureFire™ switch
- Proflame remote control
- Direct vent
- Limited lifetime warranty

OPTIONS

- Contemporary frame & faceplate in black or brushed stainless steel
- Verona glass surrounds in 2 colors
- Black enamel inner reflective panels
- Ceramic spa stones, volcanic stones
- Crystals in various colors
- Firebeads in various colors
- Natural river pebbles
- Driftwood log set
- Wall thermostat
- AstroCap® venting
- Variable speed blower
- HeatWave™ power duct kit & HeatRelease™ kit
- Steel stud framing kit (recommended)





HZ40E shown with safety screen, Verona glass surround in chocolate brown, black enamel inner panels, black crystals and driftwood log set.

REGENCY HORIZON® | HZ40E Medium Contemporary Gas Fireplace

DRAMATIC FLAME WITH PERFECT HEAT

Feature a stunning firescape in your space with the Regency Horizon HZ40E, a mid-sized contemporary gas fireplace offering a dramatic flame and ample heat.

TRANSFORM FOR YOUR SPACE

Rev up the atmosphere with glass crystals in a choice of colors, or create a tranquil escape using spa stones or driftwood logs. Transform any room into an experience with the Regency Horizon HZ40E.

SPECIFICATIONS	NATURAL GAS	PROPANE
Input (BTU)	26,000	25,500
Turn down to (BTU)	18,000	21,000
EnerGuide Rating (Canada only)	65.19%	66.70%
Efficiency (steady state)	70%	71%

DIMENSIONS	
Viewing Area	464 sq. in.
Width (Clean finish)	38-1/4"
Height (Clean finish)	16-7/8"

*For additional surround dimensions see page 26.
For detailed specifications please see pages 20-25.*



HZ40E shown with black inner frame, safety screen and garnet luster firebeads (clean edge install).



HZ40E shown with black inner frame, volcanic stones and black enamel inner panels.



HZ40E shown with Verona faceplate in stainless steel, obsidian firebeads and black enamel inner panels.

STANDARD FEATURES

- Natural gas or propane
- Safety screen
- 30" burner covered with crystals (purchased separately)
- Electronic ignition with SureFire™ switch
- Proflame remote control
- Direct vent
- Limited lifetime warranty

OPTIONS

- Clean edge install
- Contemporary faceplate 2 colors (in 2 styles)
- Verona glass surrounds in 2 colors
- Black enamel inner reflective panels
- Ceramic spa stones, volcanic stones
- Crystals in various colors
- Firebeads in various colors
- Natural river pebbles
- Driftwood log set
- Wall thermostat
- Variable speed blower
- AstroCap® venting system
- HeatWave™ power duct kit and HeatRelease™ kit
- Steel stud framing kit (recommended)





HZ30E shown with safety screen, Verona faceplate in stainless steel, black enamel inner panels and obsidian firebeads.

REGENCY HORIZON® | HZ30E Small Contemporary Gas Fireplace

FRAMELESS STYLE

The smaller profile of the Regency Horizon HZ30E features a wide view design set in a seamless frame. With minimal impact on floor space, the HZ30E offers modern styling with options that can be easily integrated into any room, providing great looks with just the right amount of warmth and comfort.

SPECIFICATIONS	NATURAL GAS	PROPANE
Input (BTU)	14,000	13,000
Turn down to (BTU)	--	--
EnerGuide Rating (Canada only)	69.69%	69.72%
Efficiency (steady state)	70%	70%

DIMENSIONS	
Viewing Area	251 sq. in.
Width (Clean finish)	27-5/8"
Height (Clean finish)	14-1/16"

*For additional surround dimensions see page 26.
For detailed specifications please see pages 20-25.*



HZ30E shown with safety screen, Verona glass surround in pure black, black enamel reflective panels, black crystals and volcanic stones.



HZ30E shown with black inner and outer frame, black enamel inner panels, black crystals and driftwood log set.



HZ30E shown with black inner frame, black enamel inner panels and black crystals (clean edge install).

STANDARD FEATURES

- Natural gas or propane
- Safety screen
- 20" burner covered with crystals (purchased separately)
- Electronic ignition with SureFire™ switch
- Proflame remote control
- Direct vent
- Limited lifetime warranty

OPTIONS

- Clean edge install
- Contemporary faceplate in 2 colors (in 2 styles)
- Verona glass surrounds in 2 colors
- Black enamel inner reflective panels
- Driftwood log set
- Crystals in various colors
- Firebeads in various colors
- Volcanic Stones, Ceramic Spa Stones
- Natural river pebbles
- Wall thermostat
- Variable speed blower
- AstroCap® venting system
- Steel stud framing kit (recommended)





HZ42STE shown with Verona faceplate in stainless steel and black crystals.

REGENCY HORIZON® | HZ42STE Contemporary See-Through Gas Fireplace

TWO ROOMS, ONE FIRE

Create two fire views from separate rooms with the Regency Horizon HZ42STE see-through gas fireplace. This dual-sided fireplace offers a cost-effective way to divide a space while maintaining an open feel. Different wall finishes create an even more dramatic experience, delivering the ultimate two-fireplace look.

SPECIFICATIONS	NATURAL GAS	PROPANE
Input (BTU)	26,000	24,500
Turn down to (BTU)	17,500	19,500
EnerGuide Rating (Canada only)	66.96%	68.71%
Efficiency (steady state)	70%	72%

DIMENSIONS	
Viewing Area	928 sq. in.
Width (Metal Faceplate)	48-3/4"
Height (Metal Faceplate)	23-5/8"

*For additional surround dimensions see page 26.
For detailed specifications please see pages 20-25.*



HZ42STE shown with black faceplate, reflective panels, black crystals and driftwood log set.

STANDARD FEATURES

- Natural gas or propane
- Safety screens
- 30" burner covered with crystals (purchased separately)
- Proflame remote control
- Electronic ignition with SureFire™ switch
- Direct vent
- Limited lifetime warranty

OPTIONS

- Clean edge install
- Contemporary faceplate in various colors
- Verona glass surrounds in 2 colors
- Black enamel inner reflective panels
- Natural river pebbles
- Ceramic spa stones
- Crystals in various colors
- Firebeads in various colors
- Driftwood log set
- Wall thermostat
- AstroCap® Venting
- Steel stud framing kit (recommended)





HZ965E shown with safety screen, enamel reflective panels and black crystals (clean edge install).

REGENCY HORIZON® | HZ965E Large Contemporary Gas Fireplace

BIG STYLE

Create a glowing centerpiece in your home with the Regency Horizon HZ965E gas fireplace. Styled for contemporary environments, this large fireplace features an inset design that allows finish materials to be installed to the edges for a clean design aesthetic.

BOLD FLAMES

With one of the largest viewing areas in the Regency collection, the HZ965E offers an impressive view of the flames through heat radiating ceramic glass. A wide range of accessories and finish options make this fireplace an excellent choice for larger modern living spaces.

SPECIFICATIONS	NATURAL GAS	PROPANE
Input (BTU)	48,000	48,000
Turn down to (BTU)	16,000	17,000
EnerGuide Rating (Canada only)	63.11%	63.46%
Efficiency (steady state)	79%	79%

DIMENSIONS	
Viewing Area	965 sq. in.
Width (Clean Finish)	36-13/16"
Height (Clean Finish)	33-1/4"

*For additional surround dimensions see page 26.
For detailed specifications please see pages 20-25.*



HZ965E shown with safety screen, black enamel reflective panels and copper crystals (clean edge install).

STANDARD FEATURES

- Natural gas
- Safety screen
- Clean face front with ceramic glass
- Linear fire bed covered with glass crystals (purchased separately)
- Split flow burner to allow for variable heat control
- Black enamel inner reflective panels
- Electronic ignition with SureFire™ switch
- Proflame remote control
- Direct vent
- Limited lifetime warranty

OPTIONS

- Crystals in various colors
- Firebeads in various colors
- Volcanic stones or ceramic spa stones
- Wall thermostat
- Propane conversion kit
- Vertical or horizontal vent terminations
- Heat distribution kit
- Power vent Kit
- AstroCap® venting system





HZ33CE shown with safety screen, enamel reflective panels and copper glass crystals (clean edge install).

REGENCY HORIZON® | HZ33CE Medium Contemporary Gas Fireplace

COMBINING FIRE & ART

Creating the right look for your space has never been easier with the Regency Horizon HZ33CE gas fireplace. This medium sized fireplace offers a wide range of finishing options to suit any décor.

CREATE YOUR FIRE

Choose from a frameless clean face look to one of Regency's contemporary surrounds. Finish the firebed with glass crystals in a choice of colors, then add ceramic spa stones, volcanic stones or driftwood logs to achieve the look you want.

SPECIFICATIONS	NATURAL GAS	PROPANE
Input (BTU)	14,000	13,000
Turn down to (BTU)	18,000	21,000
EnerGuide Rating (Canada only)	69.69%	69.72%
Efficiency (steady state)	70%	70%

DIMENSIONS	
Viewing Area	251 sq. in.
Width (Clean finish)	27-5/8"
Height (Clean finish)	14-1/16"

*For additional surround dimensions see page 26.
For detailed specifications please see pages 20-25.*



HZ33CE shown with Verona surround in stainless steel, black enamel reflective panels, black crystals and volcanic stones.



HZ33CE shown with Verona Glass surround in black, black enamel reflective panels, black crystals and volcanic stones.



HZ33CE shown with black enamel reflective panels, black crystals, and driftwood log set (clean edge install).



HZ33CE shown with black enamel reflective panels, black crystals, volcanic stones and Pacific Wave surround.

STANDARD FEATURES

- Natural gas or propane
- Safety screen
- 20" burner covered with crystals (purchased separately)
- Electronic ignition with SureFire™ switch
- Proflame remote control
- Direct vent
- Limited lifetime warranty

OPTIONS

- Clean edge install
- Contemporary faceplate in 2 colors (in 2 styles)
- Verona glass surrounds in 2 colors
- Black enamel inner reflective panels
- Driftwood log set
- Crystals in various colors
- Firebeads in various colors
- Volcanic Stones, Ceramic Spa Stones
- Natural river pebbles
- Wall thermostat
- Variable speed blower
- AstroCap® venting system
- Steel stud framing kit (recommended)



INTEGRATED FIREPLACE SOLUTIONS



DESIGN OPTIONS

CLEAN FACE OPTION



U900E



HZ30E



HZ40E



HZ33CE



HZ965E

METAL SURROUNDS



Inner and outer frame
U900E



Inner and outer frame
HZ30E/HZ40E/HZ54E



Verona Metal Faceplate
HZ30E/HZ40E/HZ42STE



Verona Metal Surround
HZ33CE

GLASS SURROUNDS



Verona Glass Surround
U900E



Verona Glass Surround
HZ54E



Verona Glass Surround
HZ30E/HZ40E/HZ42STE



Verona Glass Surround
HZ33CE

WOOD SURROUND



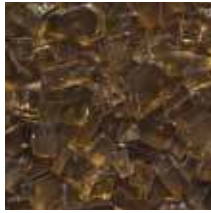
Pacific Wave Surround
HZ33CE

FIREBED OPTIONS

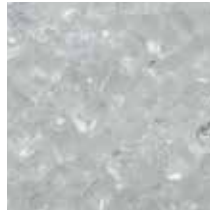
CRYSTALS & FIREBEADS



Crystals - Black



Crystals - Copper



Crystals - Starfire



Firebeads - Black



Firebeads - Caramel Luster



Firebeads - Glacier Ice



Firebeads - Sangria Luster

STONES & LOGS



Volcanic Stones - Gray



Volcanic Stones - Tan



Ceramic Spa Stones



Driftwood Ceramic Log Set

INNER PANELS



*Reflective Black
Enamel Panels*

ACCENT PEBBLES



Natural River Pebbles

FINISHING OPTIONS

METAL SURROUNDS



Black



Stainless Steel

GLASS SURROUNDS



Pure Black



Chocolate Brown

WOOD SURROUND



Black

OPTIONS

ACCESSORIES - AT A GLANCE			U900E	HZ54E	HZ40E	HZ30E	HZ42STE	HZ965E	HZ33CE	
Clean face design option			✓	-	✓	✓	✓	✓	✓	
Metallic Surrounds	Faceplates & Verona Surrounds	Black	★	★	★	★	★	·	★	
		Brushed stainless steel	·	★	★	★	★	·	★	
	Finishing Trim	Black	★	·	·	·	·	·	·	
Glass Surrounds	Verona Glass Surrounds	Pure Black	★	★	★	★	★	·	★	
		Chocolate Brown	·	★	★	★	★	·	★	
Wood Surround	Pacific Wave	Black	·	·	·	·	·	·	★	
Safety Screen			✓	✓	✓	✓	✓	✓	✓	
Interior options	Regency Horizon firebed	Crystals - various colors	·	★	★	★	★	★	★	
		Firebeads - various colors	·	★	★	★	★	★	★	
		Ceramic spa stones	·	★	★	★	★	★	★	
		Volcanic stones	·	★	★	★	★	★	★	
	Driftwood ceramic logs			✓	★	★	★	★	·	★
	Accent pebbles (for firebox floor)	Natural river pebbles		·	★	★	★	★	★	★
	Inner panels	Black enamel		✓	★	★	★	★	✓	★
Controls	Remote controls	Proflame GTMF	✓	✓	✓	✓	✓	·	✓	
		Proflame GTMFS	·	·	·	·	·	✓	·	
	Wall mounted On/Off switch			✓	✓	✓	✓	✓	✓	✓
	Thermostat			·	★	★	★	★	★	★
Variable speed blower			✓	★	★	★	·	·	★	
Venting	Direct Vent		✓	✓	✓	✓	✓	✓	✓	
	AstroCap® Venting System		★	★	★	★	★	★	★	
	HeatWave power duct kit or Heat distribution kit		★	★	★	·	·	★	·	
	HeatRelease kit		·	★	★	·	·	★	·	
LP conversion kit			·	·	·	·	·	★	★	

- Not available
- ✓ Standard
- ★ Optional

REGENCY REMOTE AND THERMOSTAT COMFORT CONTROL



Proflame GTMF Remote Control



Programmable Thermostat

Create optimal comfort with ease and convenience at the touch of a button with a Regency Comfort Control System. Our user friendly programmable controls can be set, adjusted and programmed for your fireplace to come on at the temperature you want when you want it. Regency control systems are available with a variety of features to suit your household home heating needs.

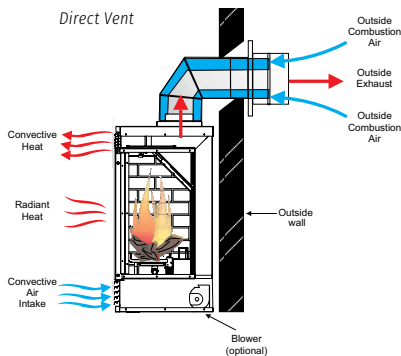
FEATURE	DESCRIPTION	PROFLAME REMOTE		PROGRAMMABLE THERMOSTAT
		GTMF	GTMFS	
On/Off		✓	✓	✓
Child lock		✓	✓	•
LCD Backlit Screen		✓	✓	✓
Clock		•	•	✓
Temperature display	°F / °C	✓	✓	✓
Thermostat	one setting (all days)	✓	✓	✓
	5-day day weekday & 2-day weekend	•	•	✓
Smart thermostat*		✓	✓	•
Flame adjustment	(6 levels)	✓	✓	•
Split flow burner control	(back burner on/off)	•	✓	•
Fan control**	(6 levels)	✓	✓	•
Accent light (On/Off)***		✓	✓	•

* *Smart Thermostat* - Rather than a thermostat that simply turns your fireplace on and off, the Smart Control function allows you to set your desired room temperature. As the room reaches your personal setting the flame intensity and heat will gradually decrease - keeping the ambience of your Regency fire on with less heat output with the option to turn off at any time.

** For models that have a blower.

*** For models that have an optional accent light.

MAXIMIZING COMFORT AND EFFICIENCY



Regency Fireplaces deliver controllable heating solutions by combining the latest in radiant/convection heat technology and innovative features.

- Adjustable flame/heat control
- Heat radiating ceramic glass for maximum radiant heat performance
- **SureFire Electronic Ignition** switch with battery backup features a fuel saving intermittent pilot ignition conserving energy when not in use.
- **Power's Out, Heat's On.** All Regency gas fireplaces operate without electricity. Enjoy peace of mind all winter long.

DESIGN VERSATILITY



AstroCap (painted to match home)

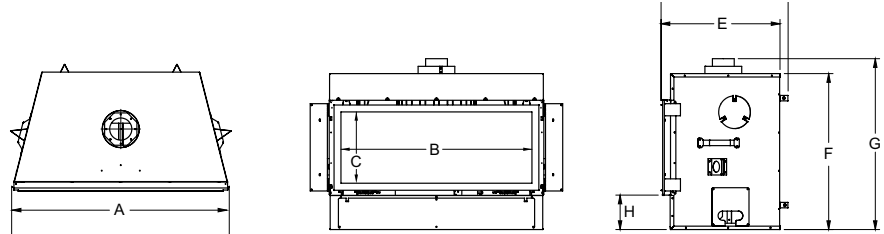
You can enjoy the convenience of a gas fireplace anywhere in your home with a Regency **Direct Vent Fireplace**. Regency Direct Vent Fireplaces maintain indoor air quality by drawing fresh combustion air from outside through our specialized venting system into a sealed firebox and sending the used air back outdoors.

Direct Vent Technology allows you to add a fireplace to rooms with no existing chimney. Simply vent your fireplace through an outside wall and finish it with the patented Regency **AstroCap Flex Venting System**.

SPECIFICATIONS

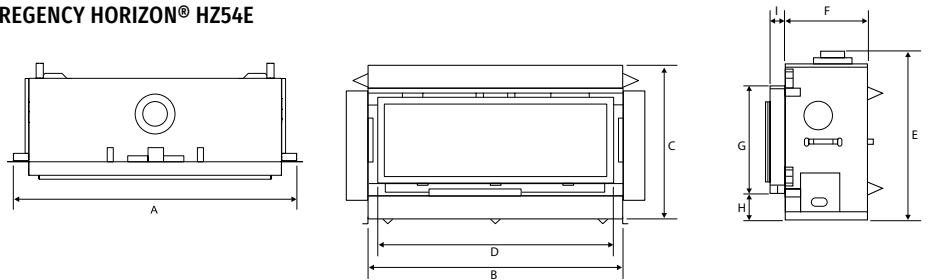
DIMENSIONS	U900E
Flue size	5" x 8"
A	39-3/8"
B	35"
C	13-1/16"
D	23-5/16"
E	21-13/16"
F	28-9/16"
G	31-5/16"
H	6-5/16"

REGENCY ULTIMATE U900E

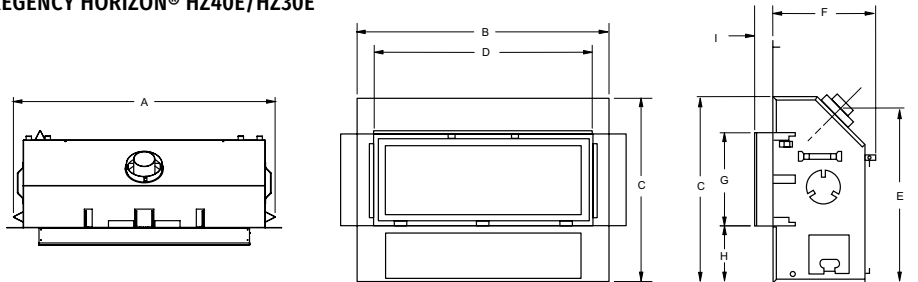


DIMENSIONS	HZ54E	HZ40E	HZ30E
Flue size	5" x 8"	4"x6-5/8"	4"x6-5/8"
A	59"	49-5/16"	30-9/16"
B	52-5/8"	45-5/8"	28-11/16"
C	31-5/8"	33-3/16"	27-1/16"
D	48-3/4"	39-3/16"	27-5/8"
E	35-1/4"	31"	25-3/4"
F	20-1/2"	18-5/16"	13-1/8"
G	22-3/8"	16-7/8"	14-9/16"
H	5-11/16"	10"	6-3/8"
I	3-1/8"	3-1/4"	3-1/8"

REGENCY HORIZON® HZ54E

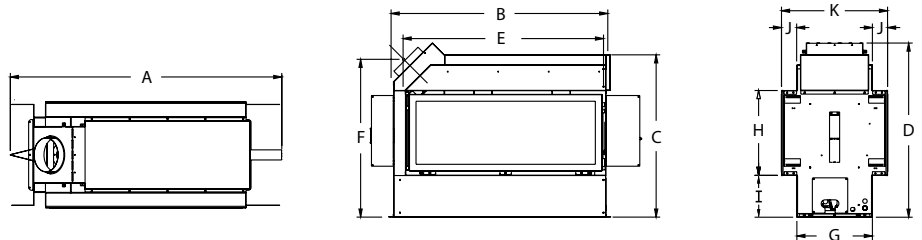


REGENCY HORIZON® HZ40E/HZ30E



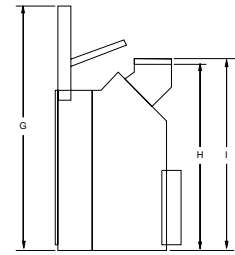
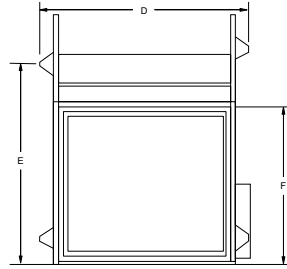
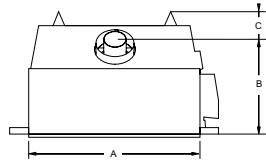
DIMENSIONS	HZ42STE
Flue size	4"x6-5/8"
A	53-3/4"
B	42-7/8"
C	32-1/8"
D	34-1/2"
E	39-11/16"
F	31-1/4"
G	14-15/16"
H	16-13/16"
I	8-5/16"
J	3"
K	21"

REGENCY HORIZON® HZ42STE

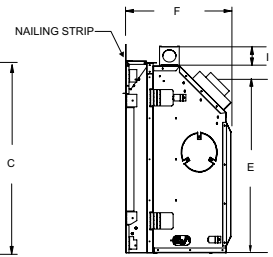
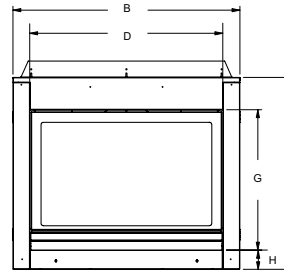
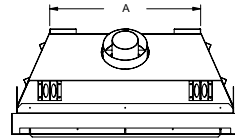


REGENCY HORIZON® HZ965E

DIMENSIONS	HZ965E	HZ33CE
Flue size	5" x 8"	4"x6-5/8"
A	36-13/16"	23"
B	18-3/4"	34-9/16"
C	5-1/4"	29-1/4"
D	44-5/8"	29-7/16"
E	43"	26-1/16"
F	33-1/4"	16"
G	52-5/16"	21-3/8"
H	39-11/16"	3"
I	41-3/16"	2-1/2"



REGENCY HORIZON® HZ33CE

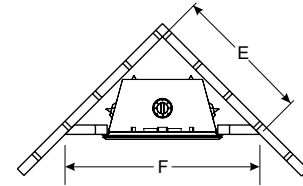
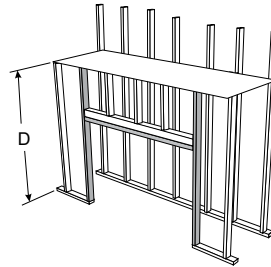


FRAMING

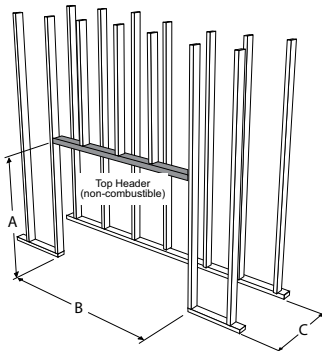
FRAMING	U900E	HZ54E	HZ40E	HZ30E
A	42-1/4"	46-5/8"	42"	33-5/16"
B	45"	60"	49-7/8"	31-3/16"
C	horizontal vent	22-3/4"	23-3/4"	21-3/16"
	vertical vent	--	23-3/4"	21-1/4"
D	flex	52-1/4"	51"	43-7/8"
	rigid	--	51"	43-7/8"
E	51-1/2"	69"	61"	43-5/16"
F	72-1/2"	97-9/16"	86-1/4"	61-1/4"

If using optional steel stud kit refer to manual for details

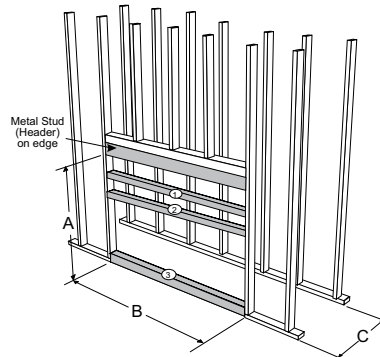
REGENCY ULTIMATE U900E & REGENCY HORIZON® HZ54E/HZ40E/HZ30E



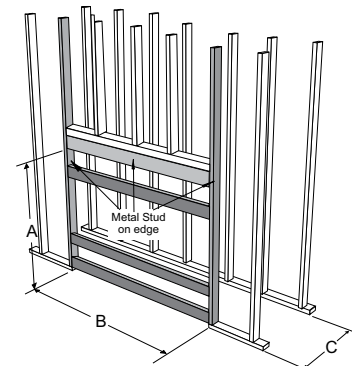
REGENCY ULTIMATE U900E & REGENCY HORIZON® HZ30E



REGENCY HORIZON® HZ54E



REGENCY HORIZON® HZ40E



Note: Three horizontal steel studs must be installed after the unit is in position and the venting, gas and electrical is installed. The horizontal studs allow the non-combustible wall board to be attached and supported.

NOTE: All products can be installed in a raised application. Before installing refer to the relevant product manual for full and up to date information. Manuals can be downloaded from our website www.regency-fire.com

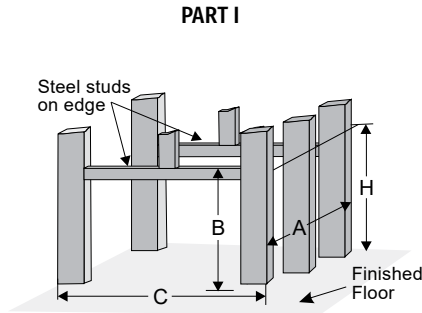
FRAMING

REGENCY HORIZON® HZ42STE

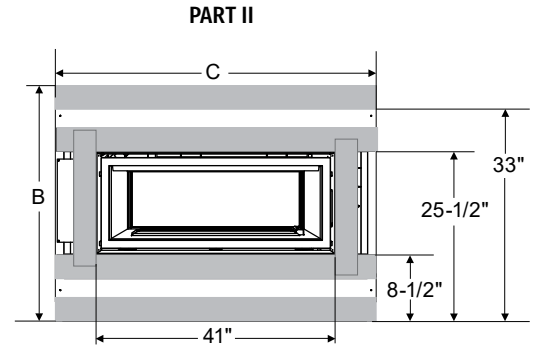
FRAMING		HZ42STE
A	Framing Depth*	20" (508mm) **minus 2X the finished material thickness
B	Framing Height	42" (1067mm)
C	Framing Width	54" (1372mm) Horizontal / 58" (1473mm) Vertical Vent
H	Min. Height to Combustibles	42" (1067mm)

*Framing depth measurement is noted with nailing strips (top & sides) set as far forward on the firebox as possible. The nailing strips can be adjusted (on both sides) to allow for varying thicknesses in noncombustible material and wall finishes.

**Finished material thickness includes: non combustible material, tile slate, etc. (example framing = 20" - if 2" thick finishing material is used (on both sides) = 16"



Steel studs

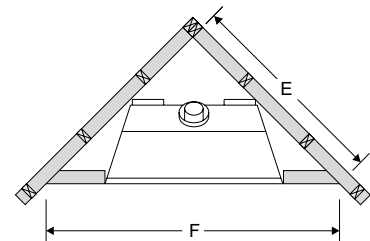
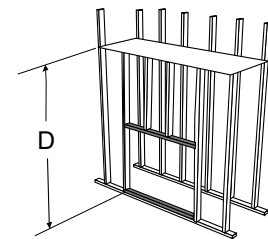
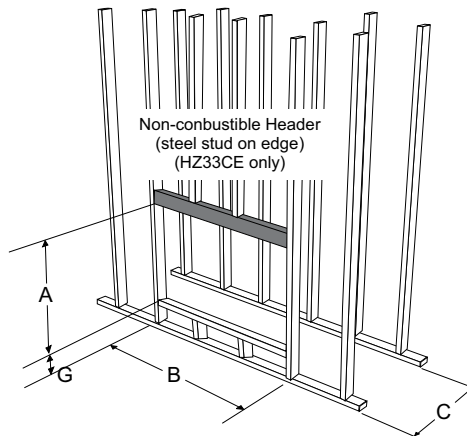


Steel studs - for easy installation of non-combustible material after Part I is complete. Install after unit in place with gas connection, electrical and venting completed.

REGENCY HORIZON® HZ965E/HZ33CE

FRAMING	HZ965E	HZ33CE
A	52-5/16"	31-3/4"
B	44-3/4"	35"
C	vertical rise	24"
	horizontal rigid	24"
	horizontal flex	24"
D	rigid**	80"
	flex**	80"
E	64"	38-15/16"
F	90-15/16"	55-1/2"
G	0"	0"

* when not using surround (might differ when using surrounds)
** minimum height from the base of the unit



Note: If this is an outside corner, the minimum distance between the vent and the outside corner is 6" (15cm) with AstroCap termination cap or 12" (30cm) with Rigid Vent termination cap. (For example Dura-Vent)

NOTE: All products can be installed in a raised application. Before installing refer to the relevant product manual for full and up to date information. Manuals can be downloaded from our website www.regency-fire.com

CLEARANCES

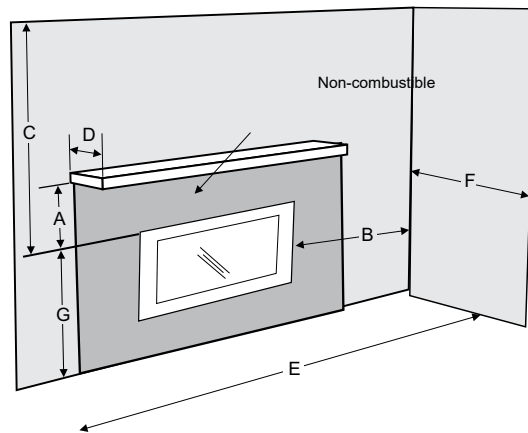
CLEARANCES	U900E	HZ54E	HZ40E	HZ30E	HZ42STE
A* (Min.)	20"	20"	17"	13-1/4"	17"
B	8"	4"	8"	8"	7" Horizontal 9" Vertical
C	48"	40-7/8"	22"	39"	22"
D** (Max.)	12"	13"	13"	12"	12"
E	84"	83"	84"	60"	84"
F	36"	36"	36"	36"	36"
G	24"	28-7/8"	27"	21"	25-1/4"

* Minimum at 1" deep

** HZ30E - Minimum at 21-1/4" above

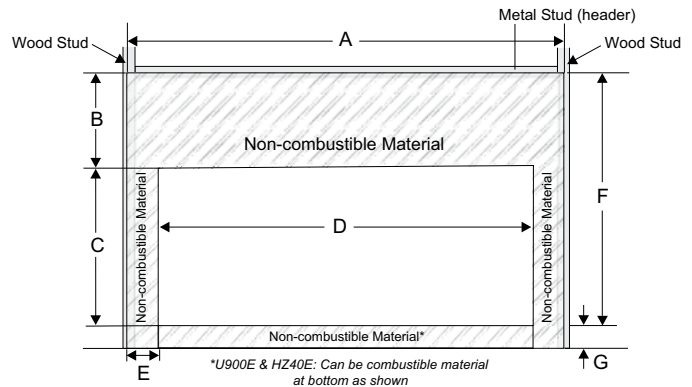
HZ42STE - Minimum at 21-1/2" above

HZ54E - Minimum at 30" above



NON-COMBUSTIBLE REQUIREMENTS

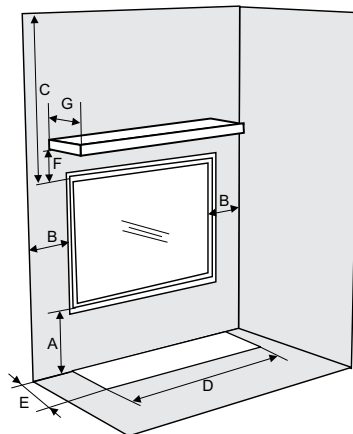
	U900E	HZ54E	HZ40E	HZ30E
A	46-1/2"	60-1/2"	51-5/16"	32-11/16"
B	20"	19-7/8"	20"	13-1/8"
C	17-3/4"	22-1/2"	13-13/16"	14-13/16"
D	39-7/8"	52-7/8"	39-7/8"	29-1/8"
E	3-7/16"	3-7/8"	5-11/16"	1-7/8"
F	37-3/4"	42-3/8"	33-13/16"	27-15/16"
G	6-1/8"	5-1/2"	10"	6-1/4"



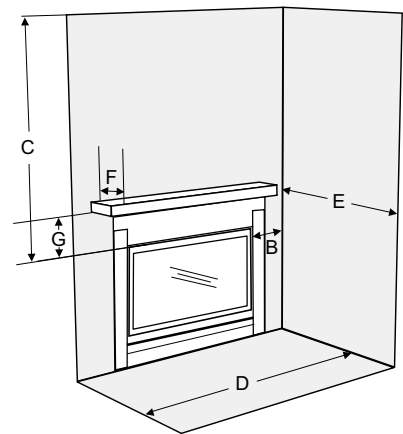
REGENCY HORIZON® HZ965E

	HZ965E	HZ33CE
A	1"	0"
B	10"	9"
C	N/A	30"
D	46"	84"
E	12"	36"
F	min. 18-1/2"	12"
G	14"	15-3/4"

* For complete instructions please see manual



REGENCY HORIZON® HZ33CE



NOTE: All products can be installed in a raised application. Before installing refer to the relevant product manual for full and up to date information. Manuals can be downloaded from our website www.regency-fire.com

SURROUND DIMENSIONS

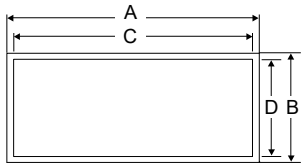
SURROUND DIMENSIONS		A	B	C	D	E
U900E	Finishing trim	40-1/8"	13-1/4"	39"	17-3/16"	-
	Inner and outer frame	43"	21-1/4"	35"	13"	-
	Verona glass	46-7/8"	25-3/8"	38-7/8"	17-1/4"	-
HZ54E	Verona 54 - glass/metal	58-11/16"	2-1/8"	45-3/16"	13-5/8"	-
	Inner and outer frame	56-11/16"	25-1/8"	49-3/16"	17-5/8"	-
HZ42STE/ HZ40E *Available for HZ40E only	Verona 40 - glass*/ metal	44"	20-7/8"	36"	12-7/8"	-
	Inner and outer frame*	43-1/16"	20-9/16"	35-1/2"	12-1/2"	-
HZ33CE	Pacific Wave 33 - wood	55-1/2"	43-15/16"	29-1/2"	21-7/16"	60-1/8"
	Verona 33 - glass/metal	42-5/16"	36-3/4"	29-1/2"	21-1/2"	-
HZ30E	Verona 30 - glass/metal	30"	18-1/2"	25"	10-1/2"	-
	Inner and outer frame	32-3/8"	18-1/16"	27-7/8"	10-1/8"	-

METAL

GLASS

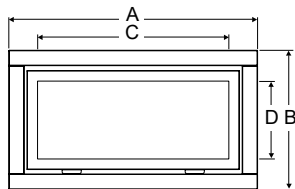
FINISHING TRIM

Available for models:
U900E



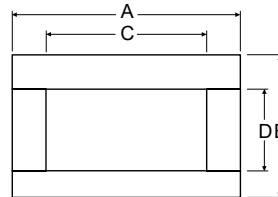
INNER & OUTER FRAME

Available for models:
**HZ30E, HZ40E,
HZ54E & U900E**



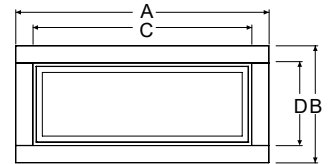
VERONA

Available for models:
**HZ30E, HZ33CE,
HZ40E & HZ42STE***
*HZ42STE available in Metal only



VERONA


Available for models:
HZ54E & U900E

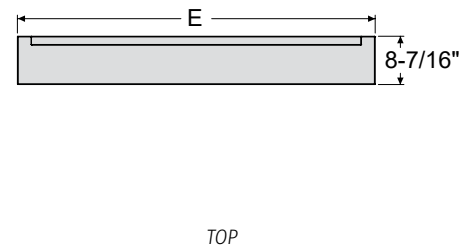
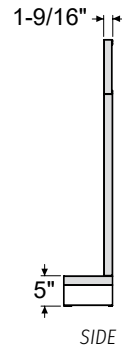
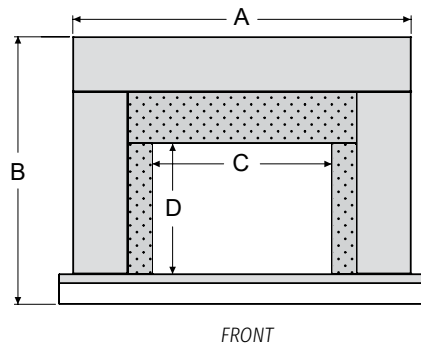


WOOD

PACIFIC WAVE

Available for models:
HZ33CE

 Optional tiling can be applied in this area



NOTE: All products can be installed in a raised application. Before installing refer to the relevant product manual for full and up to date information. Manuals can be downloaded from our website www.regency-fire.com

DESIGN INSPIRATION



U900E shown with black contemporary door frame and surround.



HZ54E shown with safety screen, black surround and inner frame, black enamel reflective panels and black crystals.

FIREPLACE PLANNING MADE SIMPLE

Your Regency® matches your home and lifestyle perfectly. How do we know that? Because you designed it yourself!

www.regency-fire.com

1



CLICK!

Take a photo of your desired room location.

2



DESIGN

Go to www.regency-fire.com and design your perfect fireplace with the Fireplace Design Center.

3



VISUALIZE

Upload your room photo and see how the fireplace will look in your own home.

4



VISIT A REGENCY DEALER

Show your plan to one of our sales associates for expert advice. Your authorized Regency dealer will advise you on all the technical aspects and install your Regency.

5



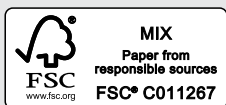
NO CHIMNEY? NO PROBLEM!

Direct vent technology means you no longer need an expensive, elaborate chimney. Simply vent your fireplace through an outside wall and finish it with an AstroCap™.

6



ENJOY!



www.regency-fire.com

© 2016 FPI Fireplace Products International Ltd. Regency, Regency Horizon, SureFire, Heat Wave, Heat Release, AstroCap, are registered or proprietary trademarks of FPI Fireplace Products International Ltd. All rights reserved. Printed in Canada (09/16)
Part no. 944-286

your Regency dealer